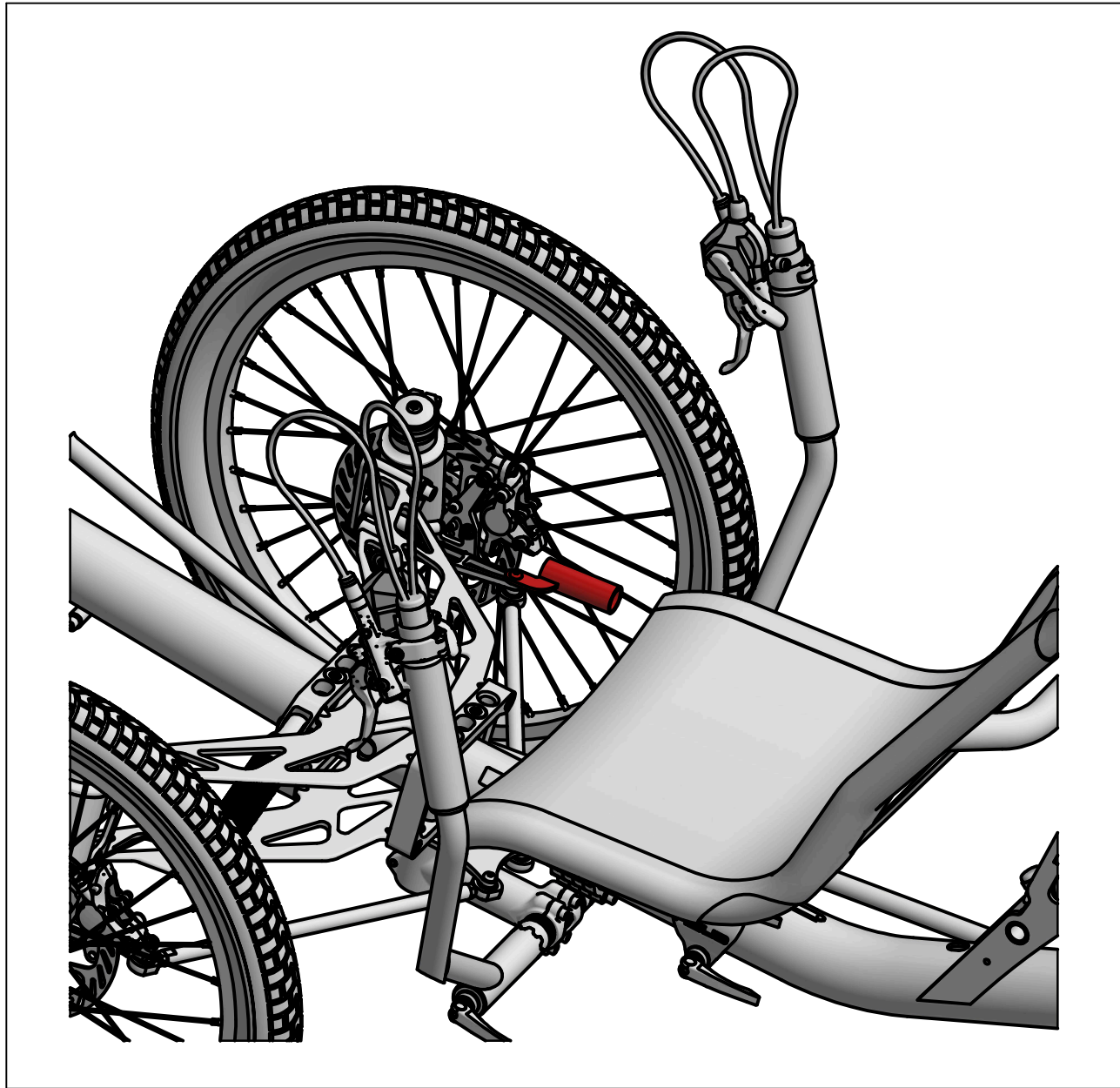



TRIKE - COMPUTER SENSOR MOUNT



BILL OF MATERIAL		
ITEM	DESCRIPTION	QTY
1	SENSOR MOUNT	1
2	SCREW M6 x 30	1



TOOLS:

