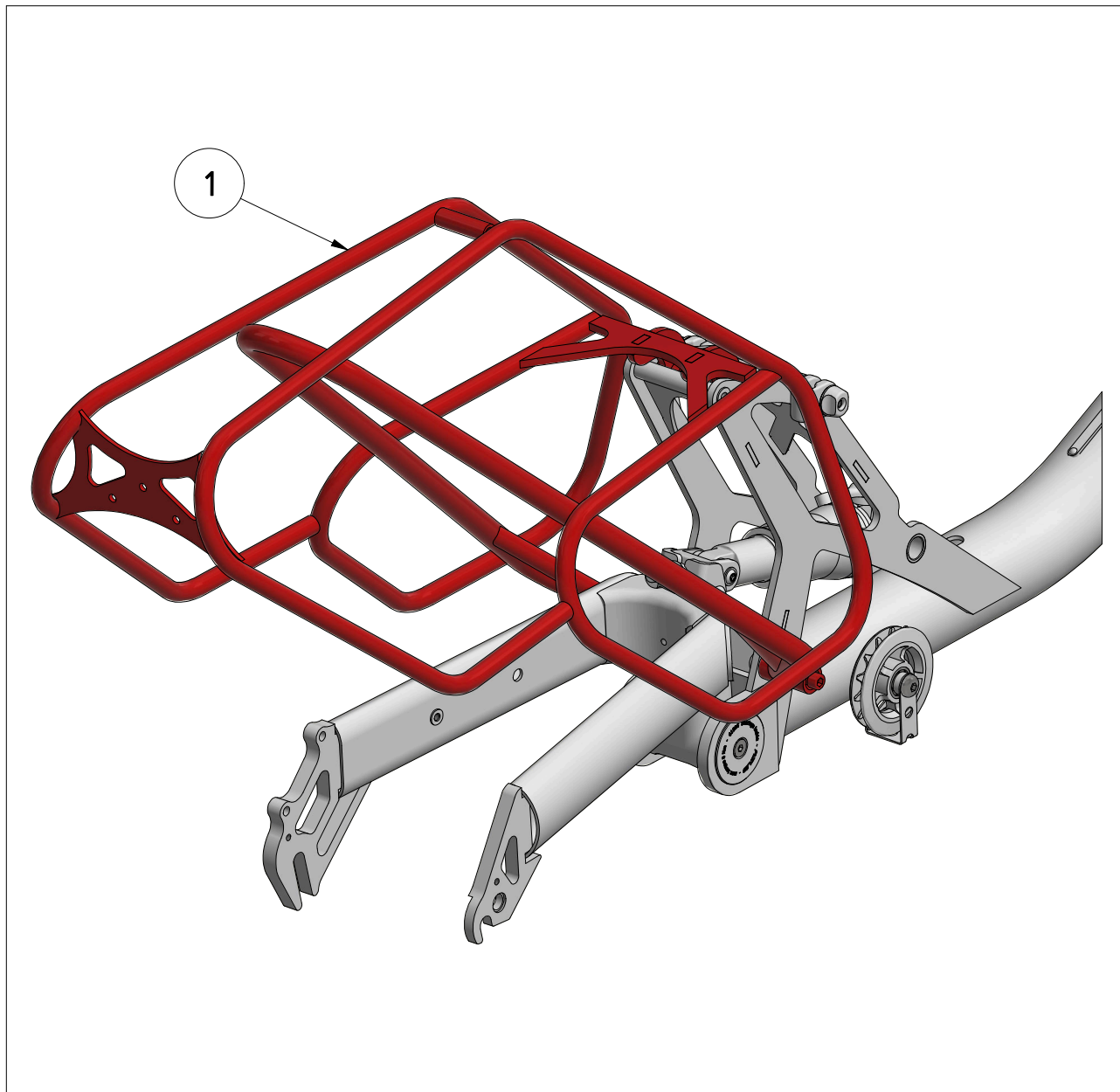
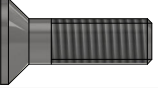
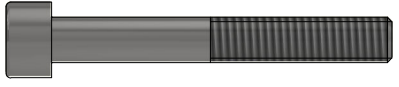



TRIKE - DOUBLE CARRIER



BILL OF MATERIAL		
ITEM	DESCRIPTION	QTY
1	DOUBLE CARRIER	1
2	SCREW M5 x 20 	2
3	SCREW M6 x 45 	2
4	INSERT 	2

TOOLS:

