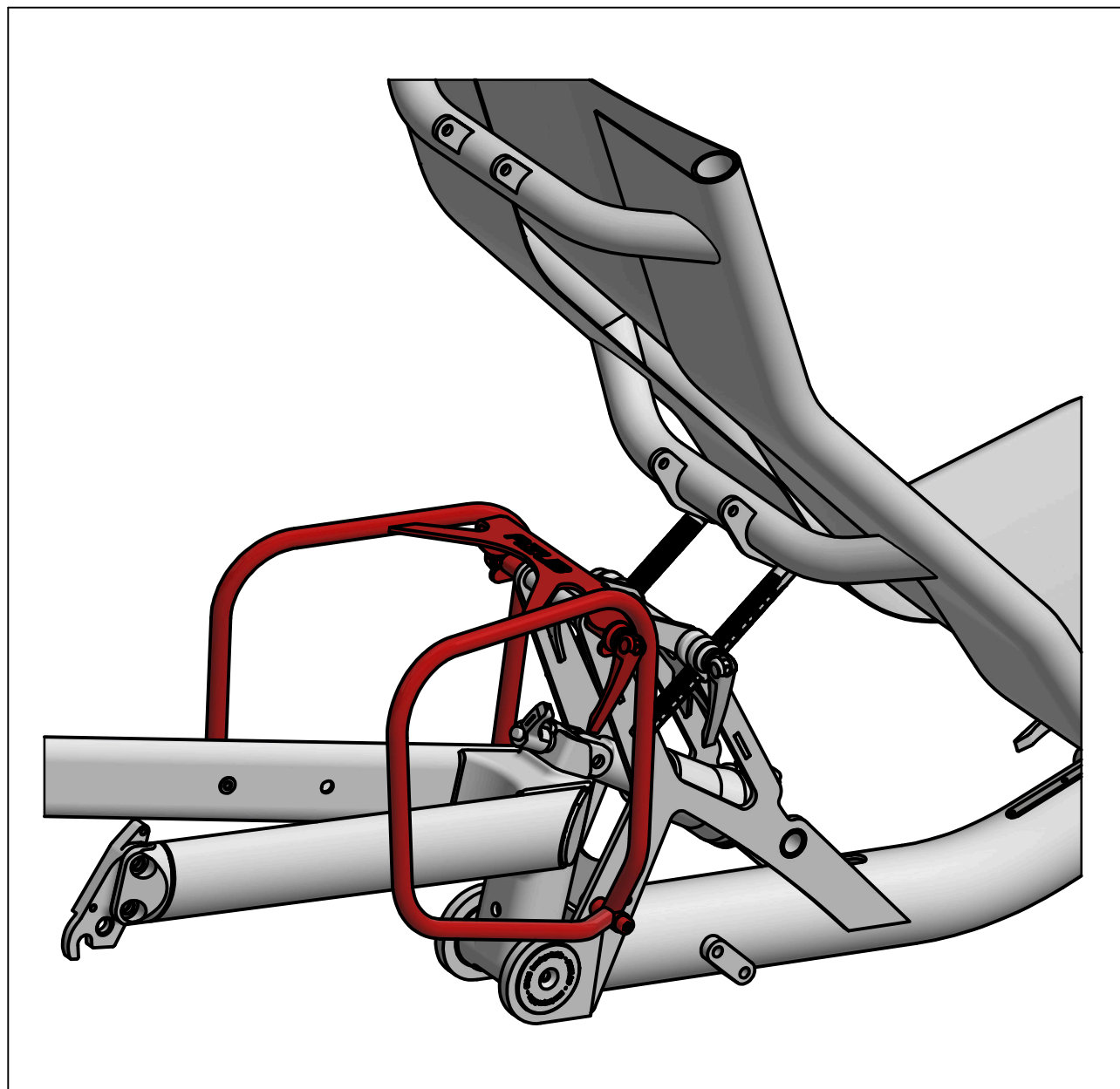

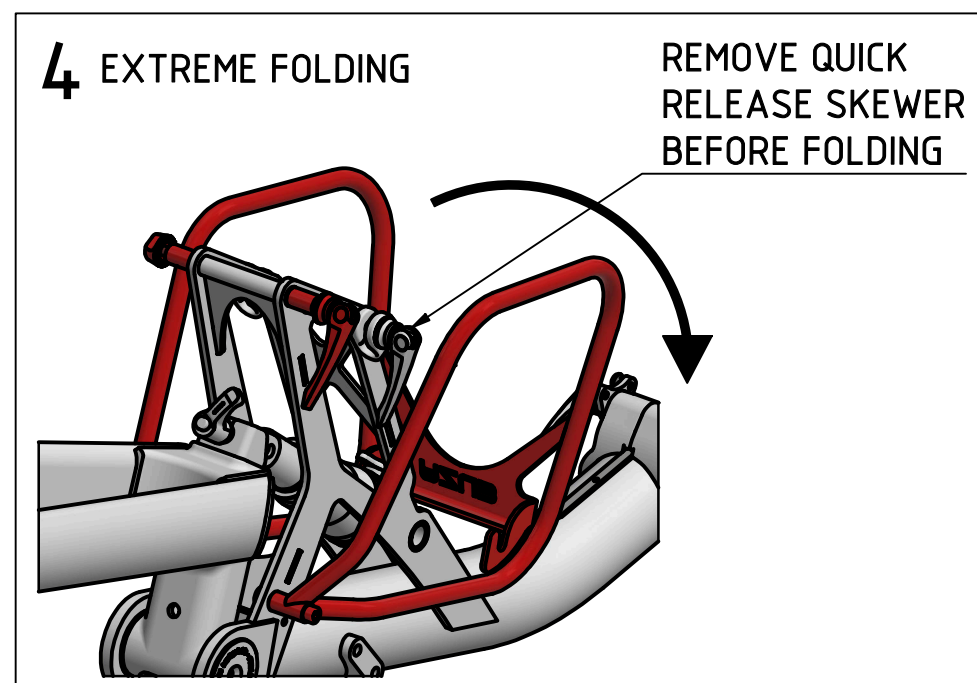
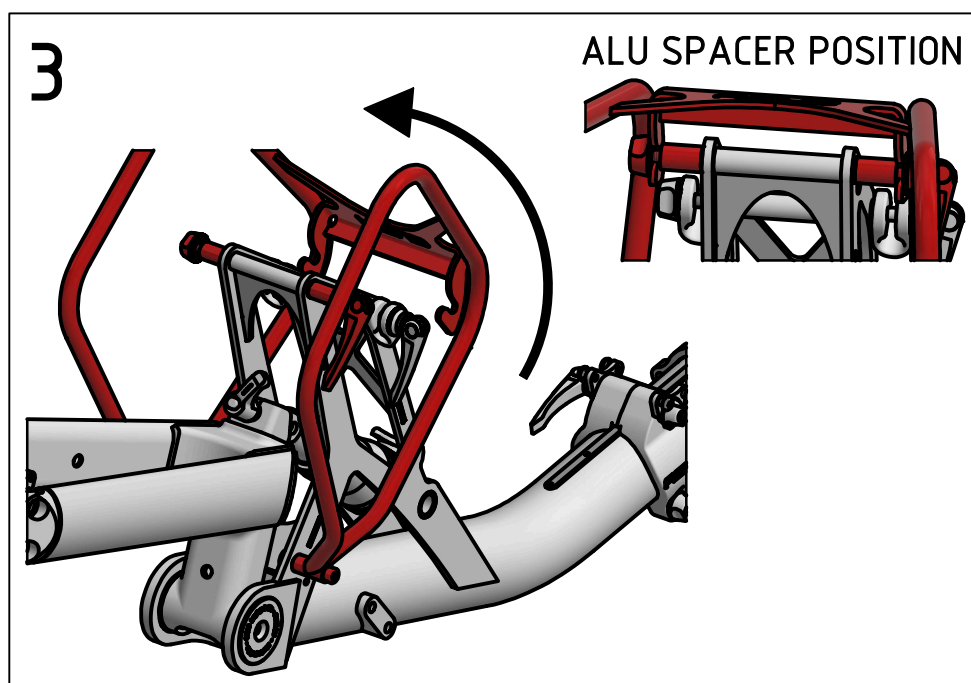
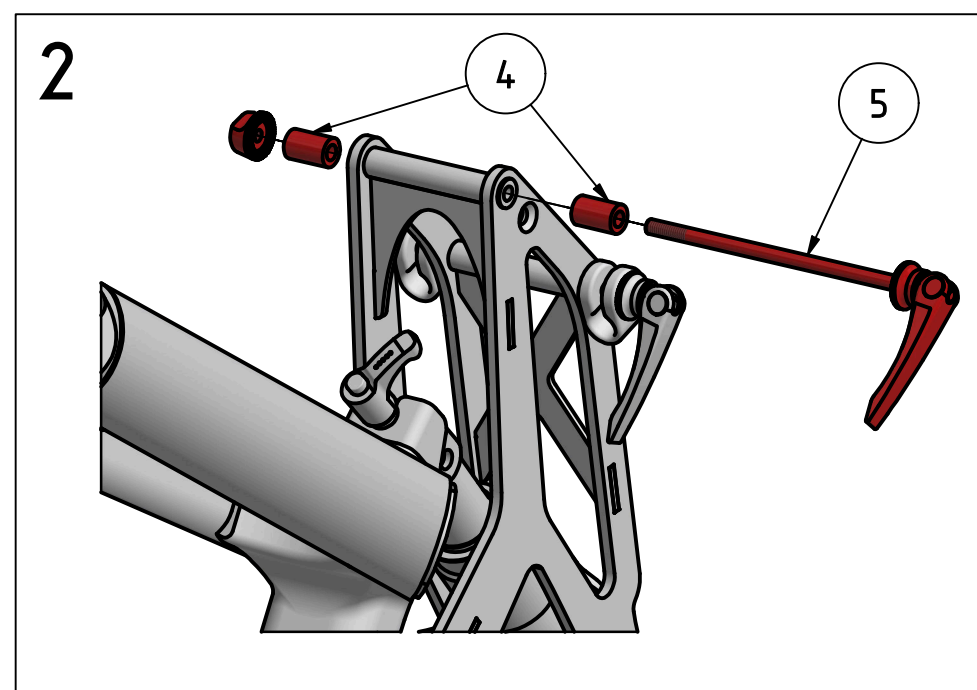
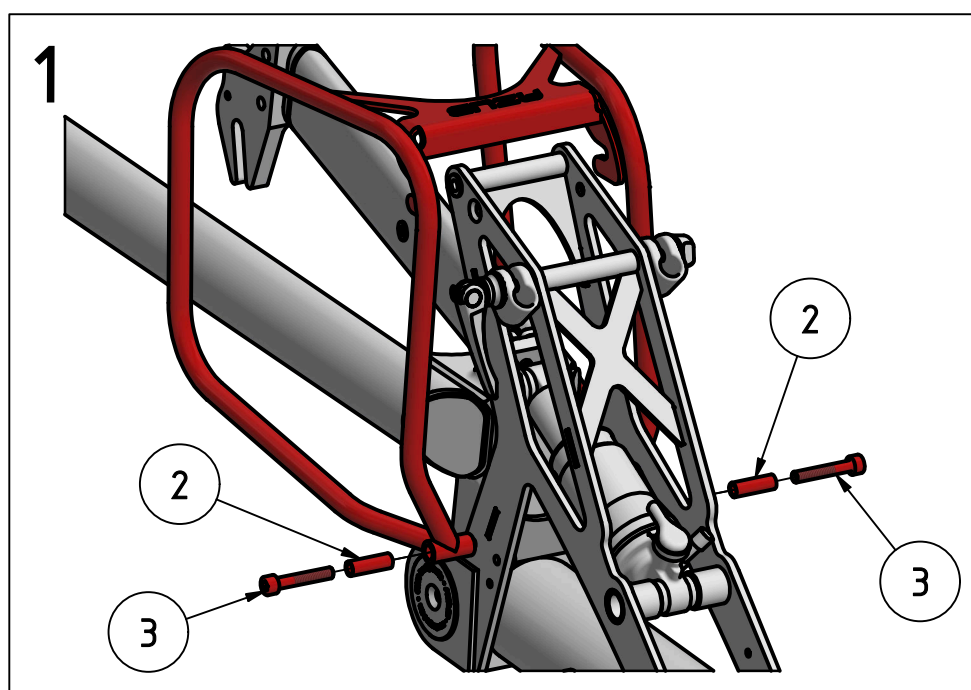
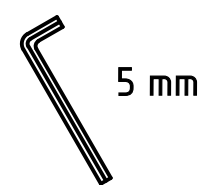


TRIKE - LOWRIDER CARRIER S



BILL OF MATERIAL		
ITEM	DESCRIPTION	QTY
1	LOWRIDER CARRIER S	1
2	INSERT	2
3	SCREW M6 x 35	2
		
4	ALU SPACER	2
5	QUICK RELEASE SKEWER	1

TOOLS:



5

IT IS POSSIBLE TO REPLACE
THE PADS WITH CLAMPS

