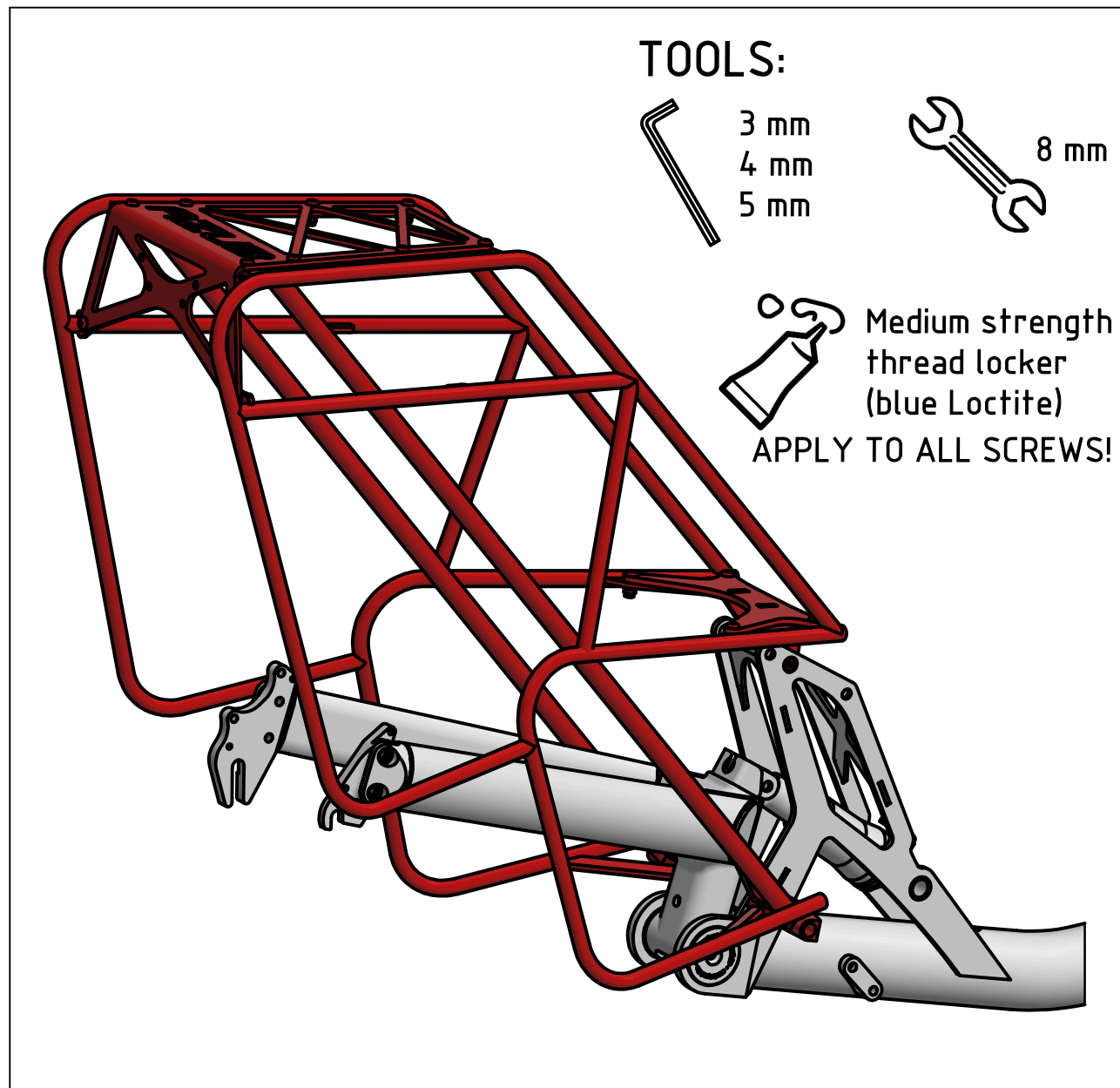






# TRIKE - KING CARRIER



BILL OF MATERIAL		
ITEM	DESCRIPTION	QTY
1	LEFT SIDE FRAME	1
2	RIGHT SIDE FRAME	1
3	LOWER ATTACHMENT	1
4	UPPER ATTACHMENT	1
5	SCREW M6 x 35 	2
6	SCREW M6 x 25 	2
7	SCREW M5 x 20 	2
8	SCREW M5 x 16 	14
9	SELF-LOCKING NUT M6	2
10	SELF-LOCKING NUT M5	14
11	SCHNORR WASHER M6	4
12	WASHER M5	14

