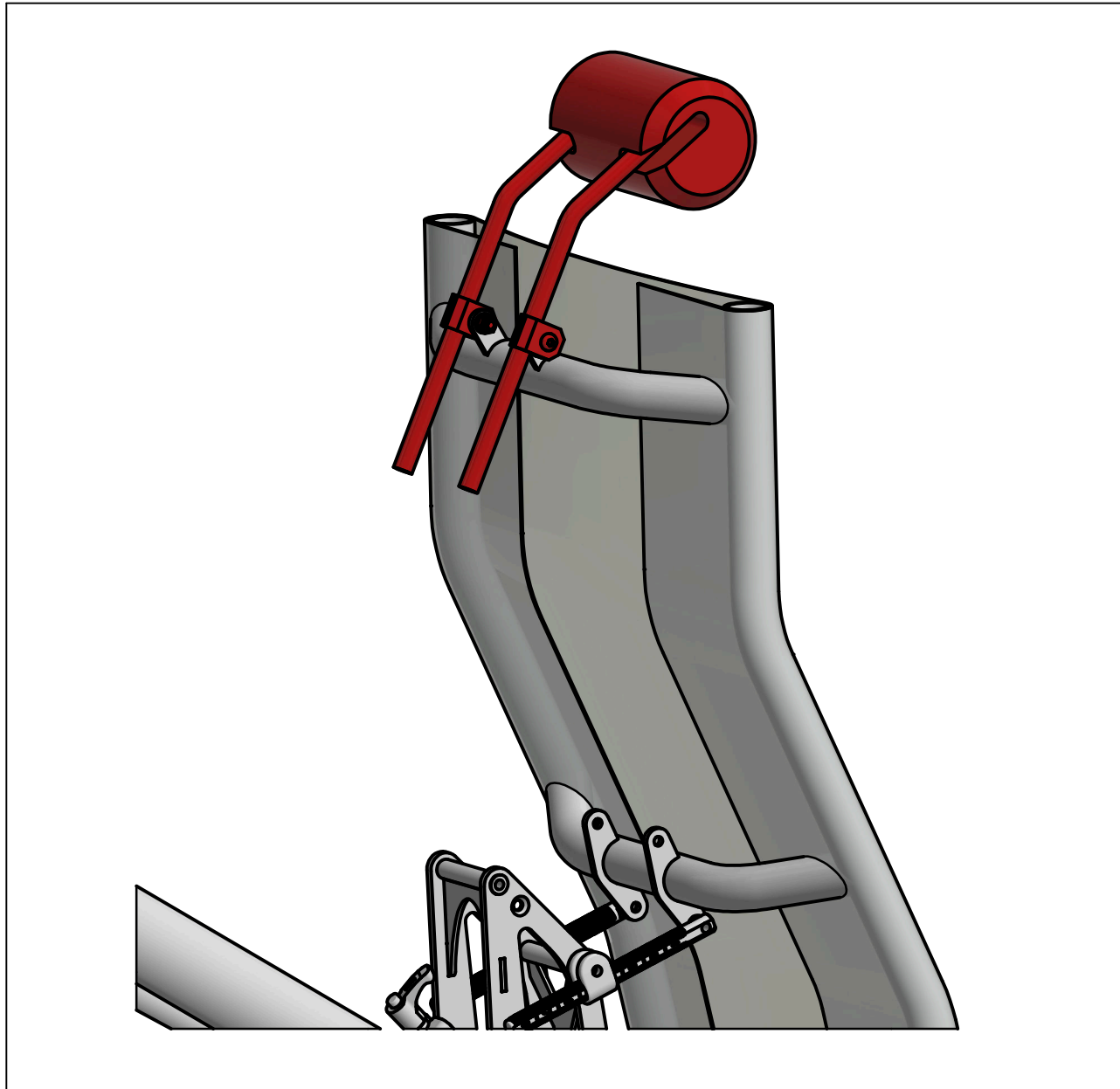


HEAD REST FOR TRIKES



BILL OF MATERIAL		
ITEM	DESCRIPTION	QTY
1	HEAD REST	1
2	HALF CLAMP	4
3	SCREW M6 x 30	2
		
4	SELF-LOCKING NUT M6 x	2
5	TOOTHED LOCK	2
	WASHER M6 	
6	WASHER M6	2

TOOLS:

