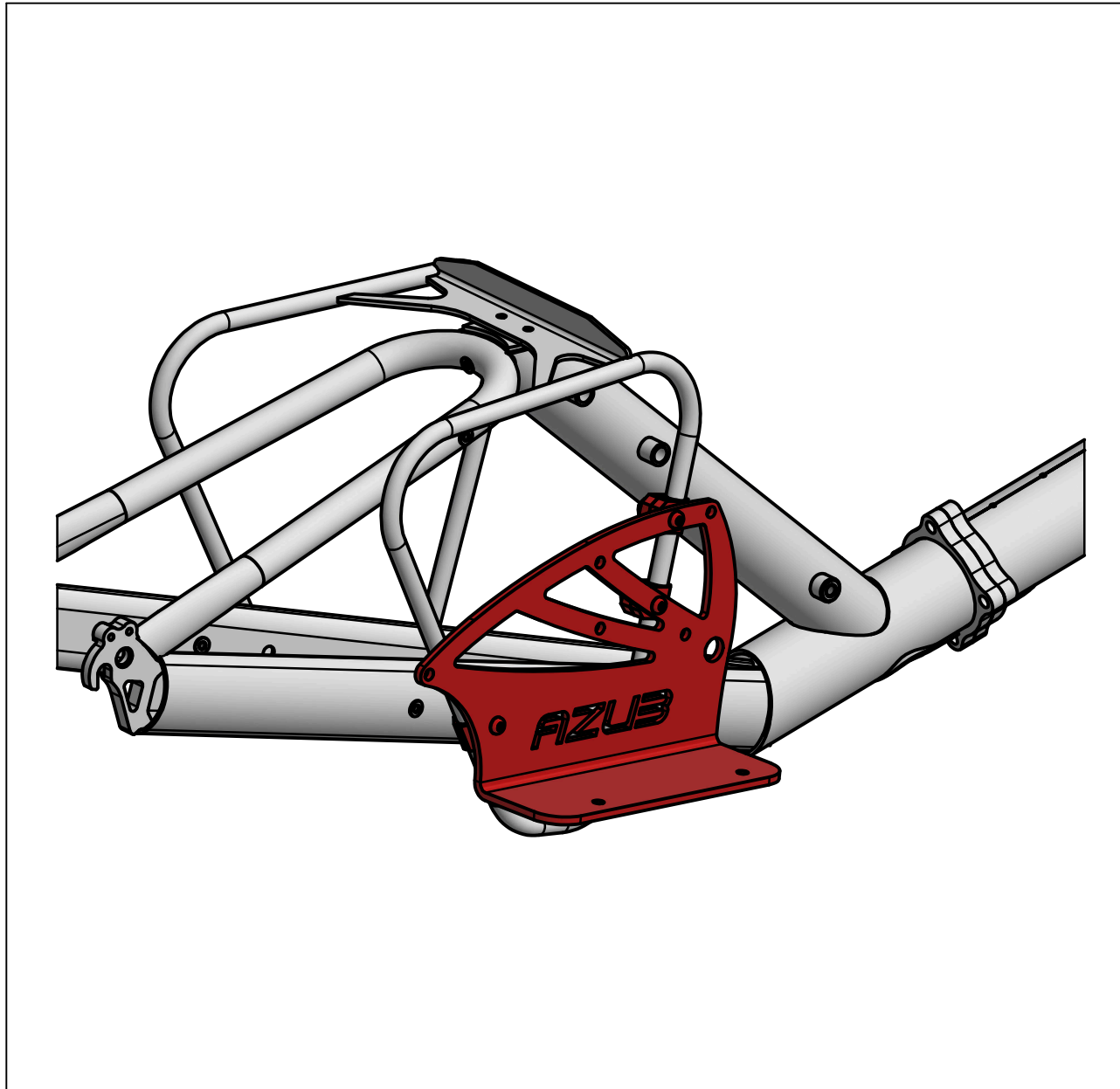
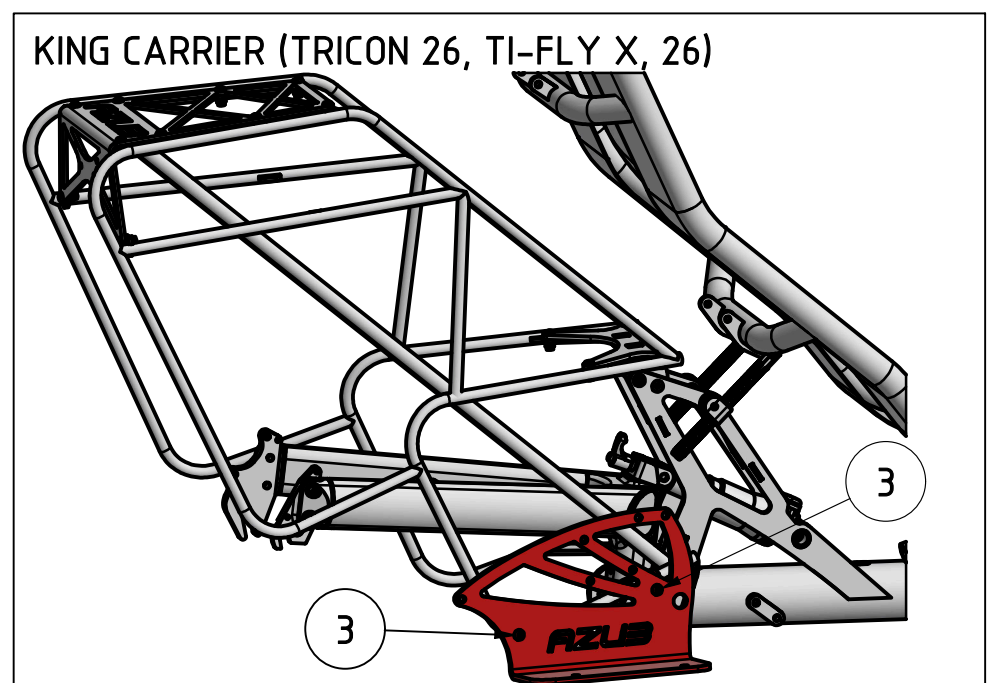
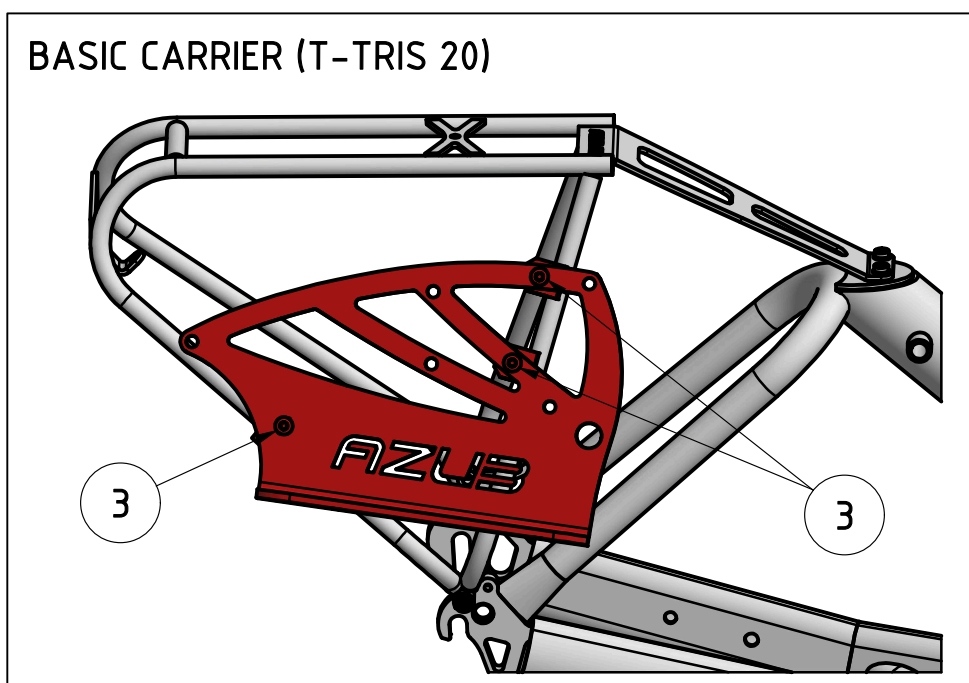
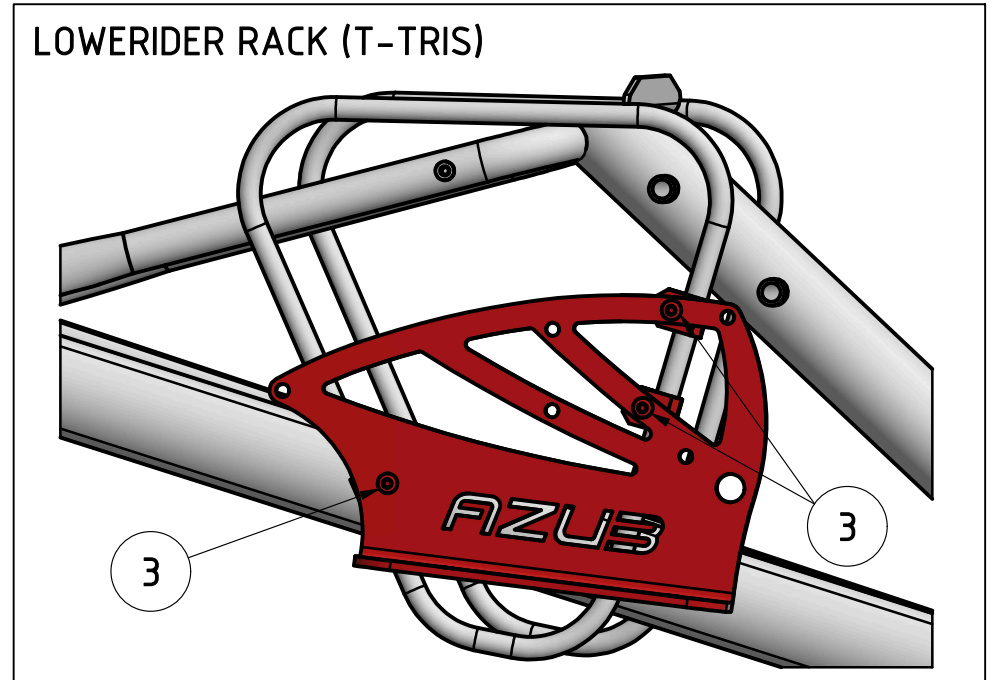
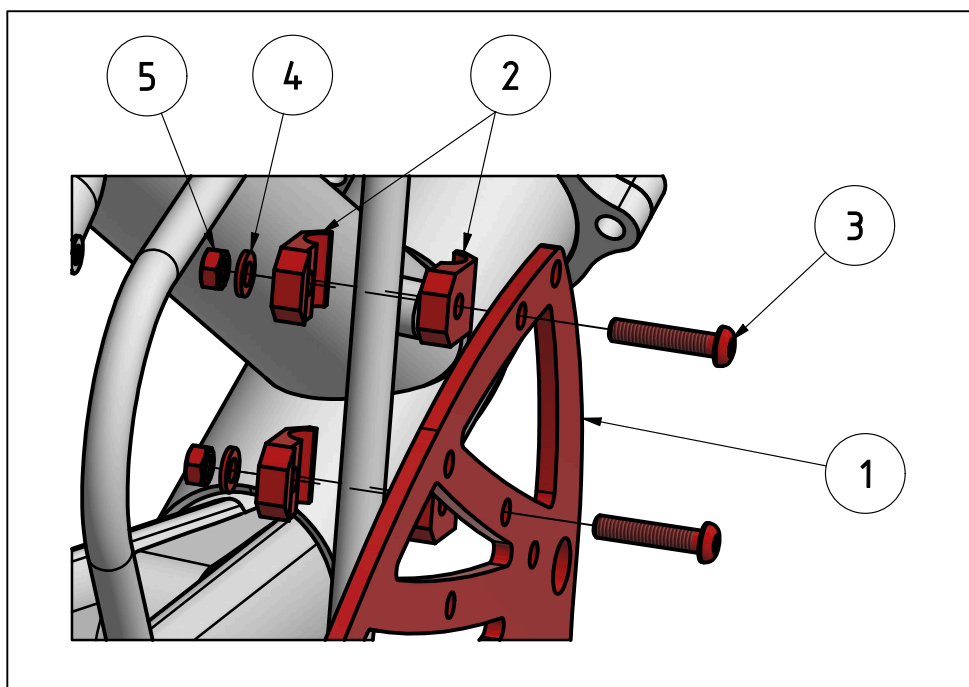
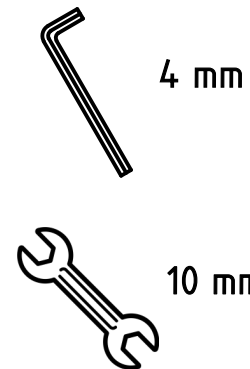


# TRIKE - BATTERY HOLDER



BILL OF MATERIAL		
ITEM	DESCRIPTION	QTY
1	BATTERY HOLDER	1
2	CLAMP	8
3	SCREW M6 x 30	4
		
4	WASHER M6	4
5	SELF-LOCKING NUT M6	4

## TOOLS:



MID SIZE CARRIER (TRICON 26, TIFLY X, 26)

